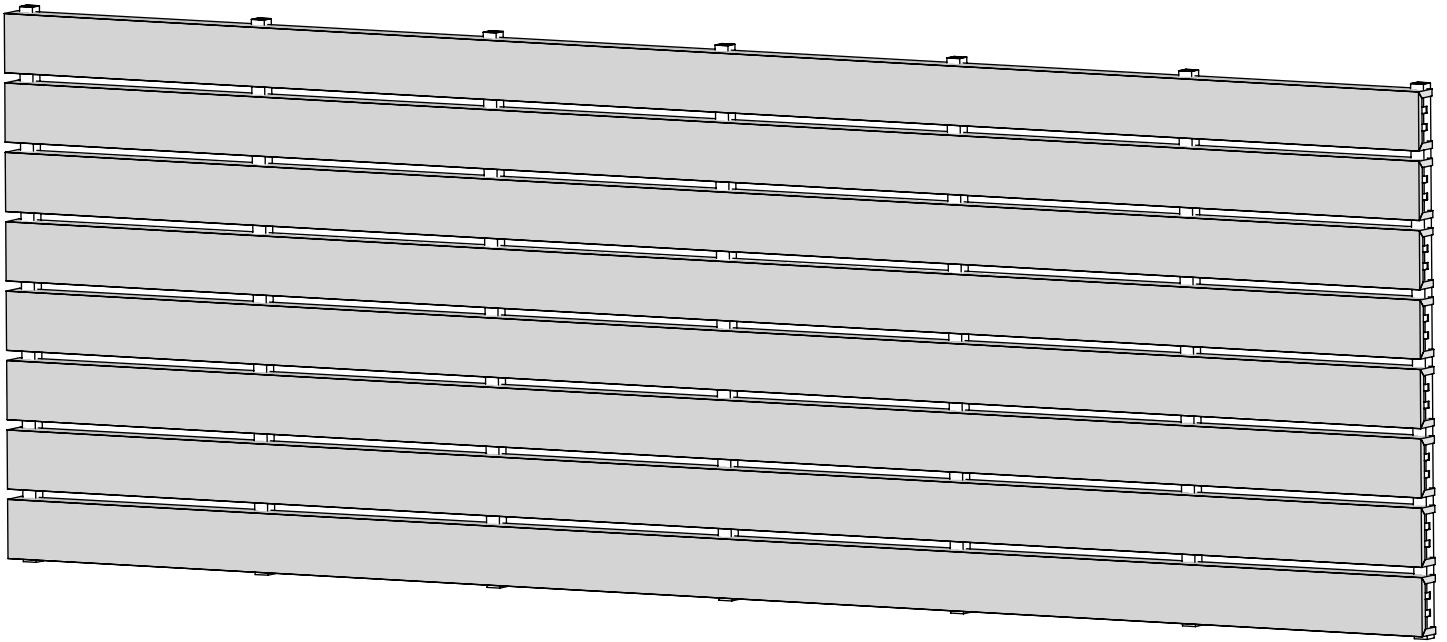




**CROWN**  
SURFACE SOLUTIONS

# ZINTRA STICKS

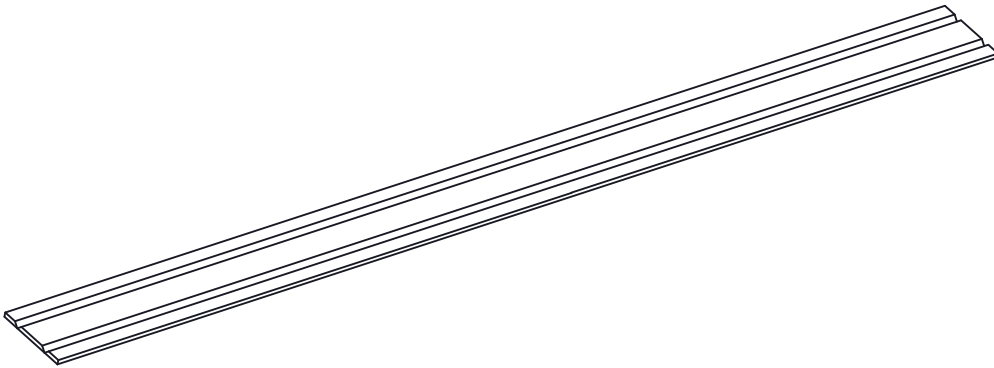
## STANDARD LANDSCAPE ASSEMBLY INSTALLATION INSTRUCTIONS



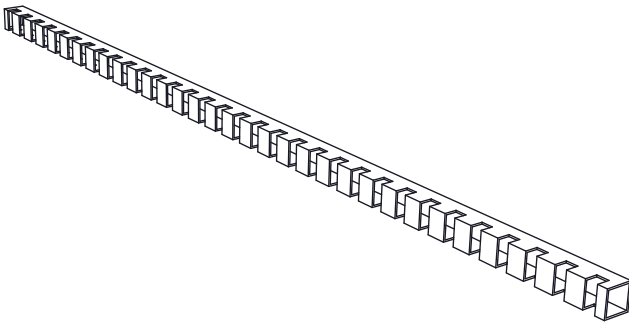
## PARTS AND HARDWARE

*FOR A TYPICAL ASSEMBLY*

ZINTRA STICKS - (8) WIDE OR (16) NARROW



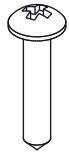
(7) STANDARD ALUMINIUM TUBE WITH NOTCHES



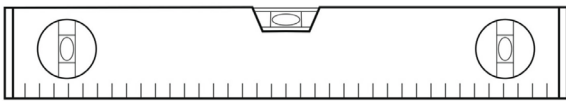
## YOU WILL NEED

### (14) SUITABLE SCREWS

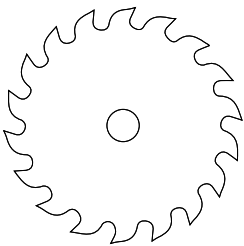
SCREWS ARE NOT INCLUDED - INSTALLER TO SUPPLY BASED ON FIXING SUBSTRATE



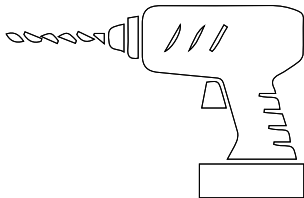
### SPIRIT LEVEL



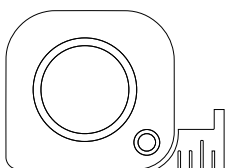
### DROP SAW WITH SUITABLE BLADE FOR ALUMINIUM CUTTING



### DRILL



### TAPE MEASURE



### STEP 1

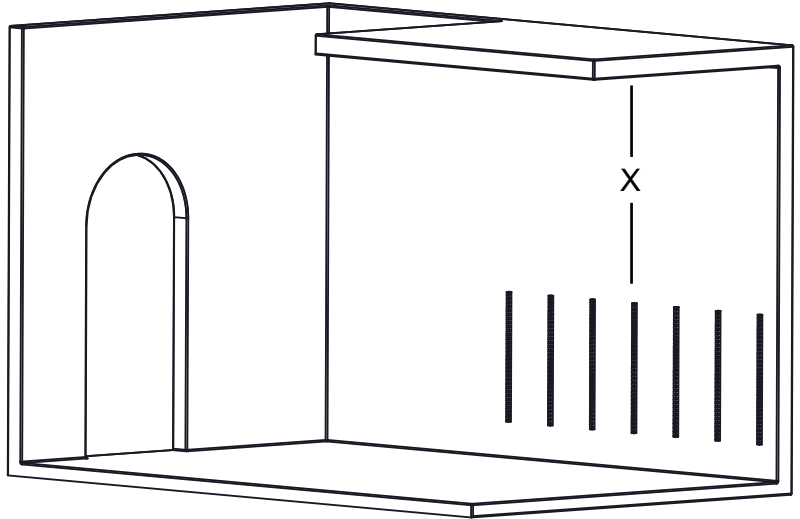
MEASURE THE HEIGHT [X] OF THE INSTALL AND CUT THE ALUMINIUM TO SUIT

NOTE: AFTER MEASURING AND MARKING WHERE TO CUT THE ALUMINIUM TUBE, COUNT THE NUMBER OF NOTCHES TO ENSURE IT WILL SUIT THE QUANTITY OF STICKS REQUIRED. FOR EXAMPLE, A WIDE STICK USES 4 NOTCHES, THEREFORE THE NOTCHES IN THE ALUMINIUM TUBE WILL NEED TO EQUAL A MULTIPLE OF 4.

USE A LASER LEVEL OR SPIRIT LEVEL TO MARK ALUMINIUM POSITION ON THE WALL.

MAX DISTANCE FROM TUBE CENTRES IS 450mm [17.71"]

MAX DISTANCE BETWEEN END OF STICK AND FIRST TUBE CENTRE IS 150mm [5.9"]



### STEP 2

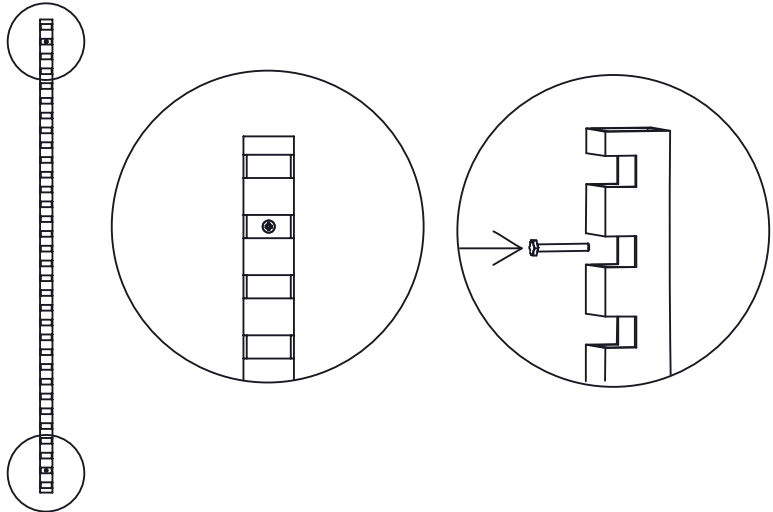
DRILL HOLES IN ALUMINIUM TUBES IN LOCATIONS TO SUIT SUPPORT IN WALL (STUD LOCATION ETC)

SCREW ALUMINIUM TUBES TO WALL

DRYWALL SURFACE: USE DRYWALL ANCHOR AND SUITABLE SCREW

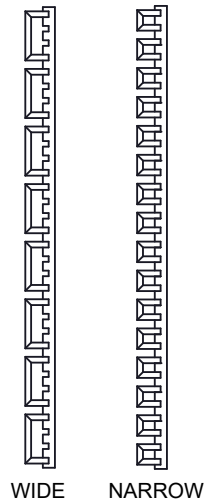
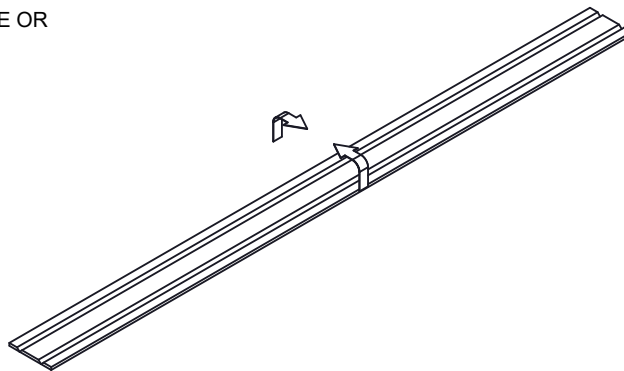
TIMBER SURFACE: USE SELF TAPPING TIMBER SCREW

MASONARY SURFACE: USE MASONARY ANCHOR AND SUITABLE SCREW



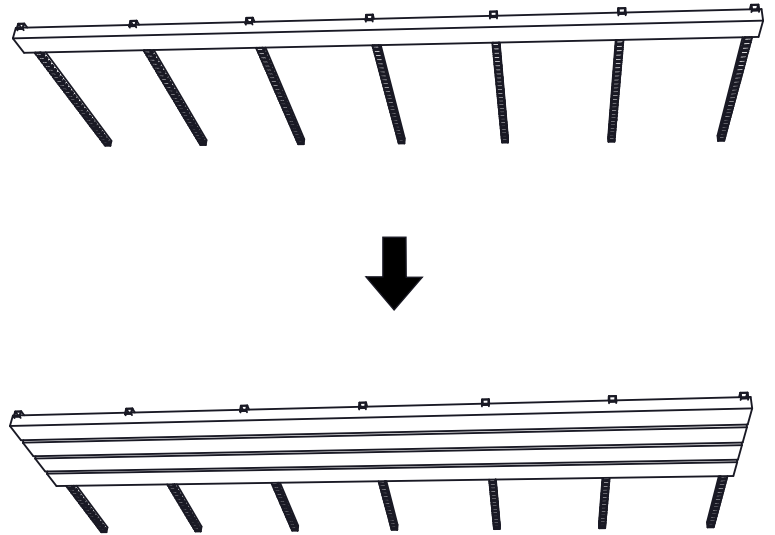
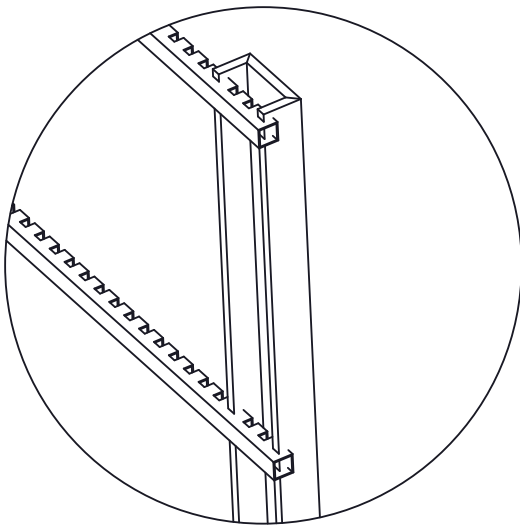
### STEP 3

FOLD ZINTRA STICKS (8) FOR WIDE OR (16) FOR NARROW



**STEP 4**

INSERT ZINTRA STICKS INTO TUBE NOTCHES  
AS SHOWN



**FINISHED INSTALL**

NOTE: CAN ADD STICKS TRIM TO EDGES (SIDES OR BOTTOM)  
FOR ALTERNATE FINISH

